

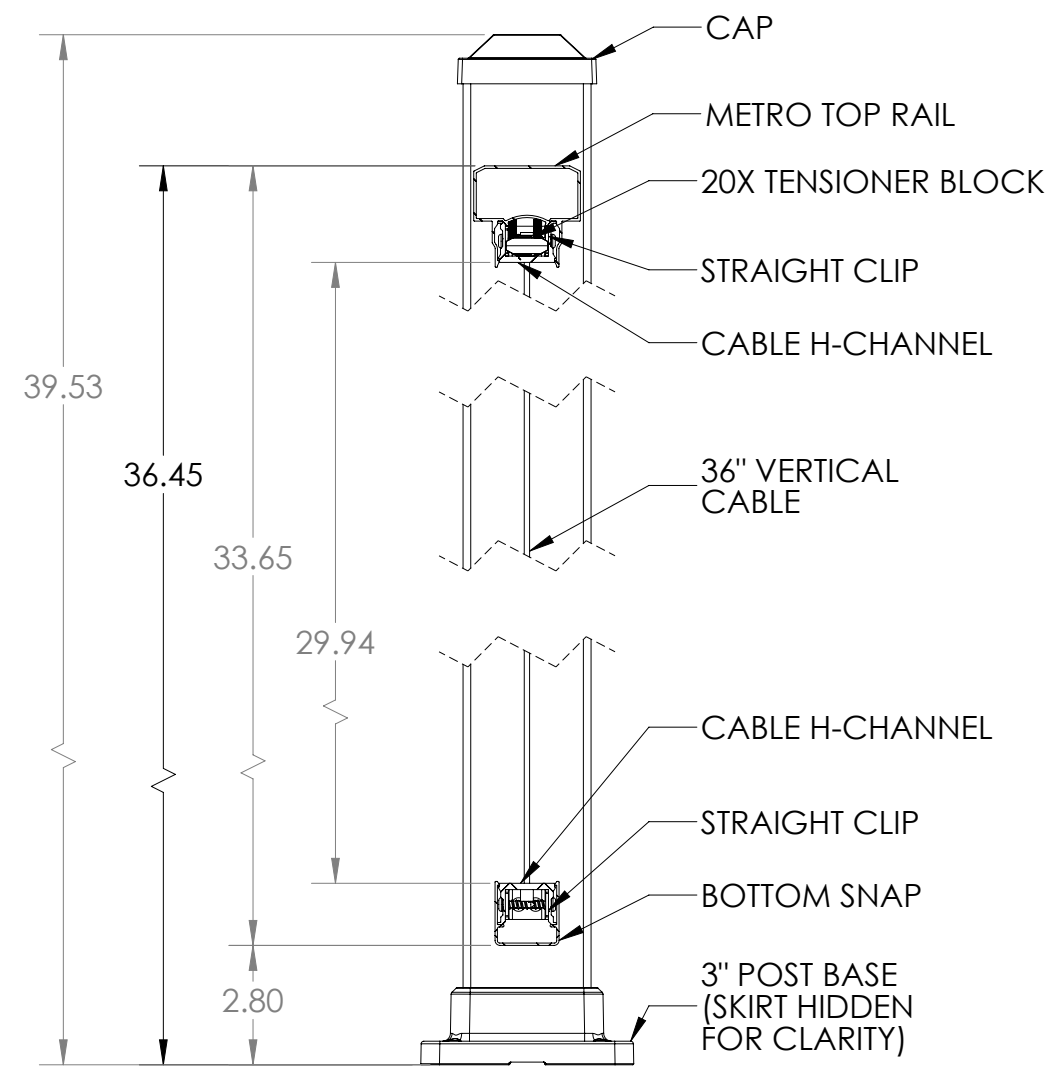
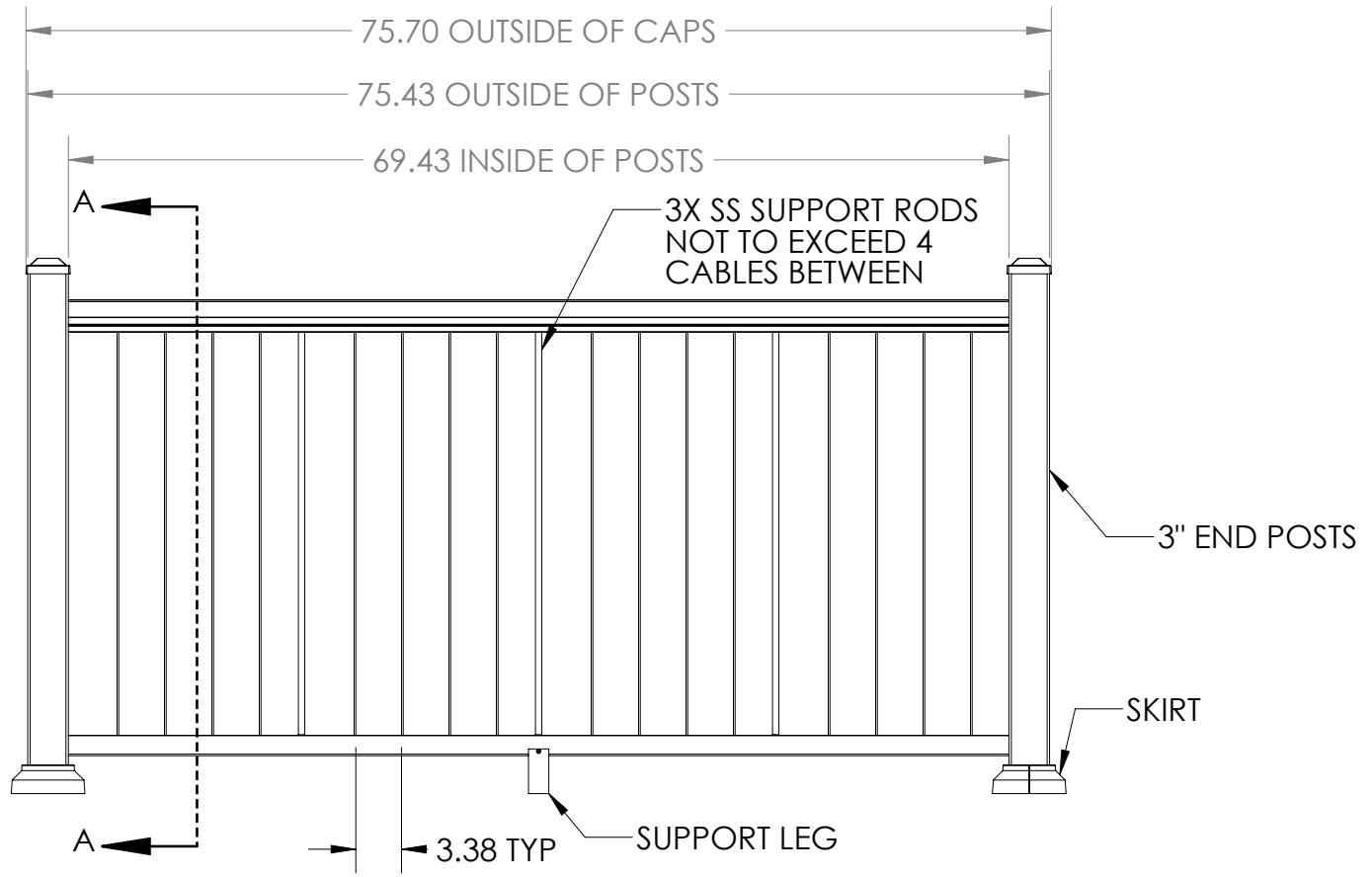
4

3

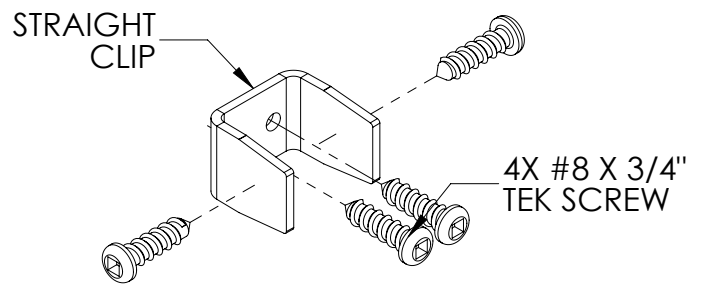
2

1

REVISIONS - BALLOONS DENOTE CHANGES			
REV.	DESCRIPTION	DATE	APPROVED
A		02/21/2024	ZAG



SECTION A-A



4X CLIP DETAIL

NOTES:
 1. ALL RAIL MUST BE ASSEMBLED AND FASTENED IN ACCORDANCE WITH ULTRALOX'S INSTALLATION INSTRUCTIONS.
 2. AVAILABLE COLORS ARE BLACK - WHITE - BRONZE.

UNLESS OTHERWISE SPECIFIED:		NAME	DATE	
DIMENSIONS ARE IN INCHES		DRAWN	VINH 02/21/24	
TOLERANCES:		CHECKED		TITLE: SHOP DRAWING, METRO TOP RAIL, 3\"/>
SURFACE FINISH: 125 RMS		ENG APPR.		
ANGULAR: ±.5 DEG		MFG APPR.		
LINEAR: .X ±.02		INTERPRET GEOMETRIC TOLERANCING PER: ASME Y14.5-2009		SIZE DWG. NO.
.XX ±.010		MATERIAL		REV
.XXX ±.005		FINISH		B
THIRD ANGLE PROJECTION:		PROPRIETARY AND CONFIDENTIAL THE INFORMATION CONTAINED IN THIS DRAWING IS THE SOLE PROPERTY OF UltraLox. ANY REPRODUCTION IN PART OR AS A WHOLE WITHOUT THE WRITTEN PERMISSION OF UltraLox.		A
DO NOT SCALE DRAWING		SCALE: 1:10 WEIGHT:		SHEET 1 OF 1

4

3

2

1